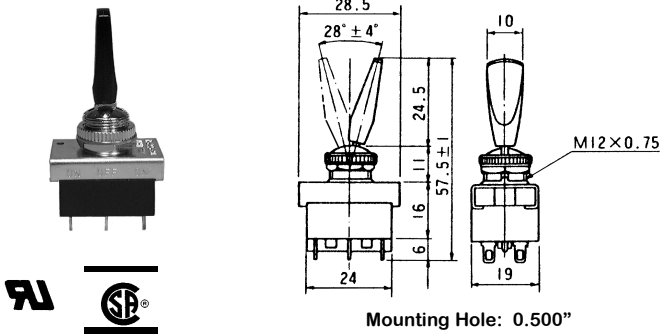


SWITCHES PADDLE HANDLE TOGGLE

STANDARD SIZE PADDLE HANDLE TOGGLE SWITCH

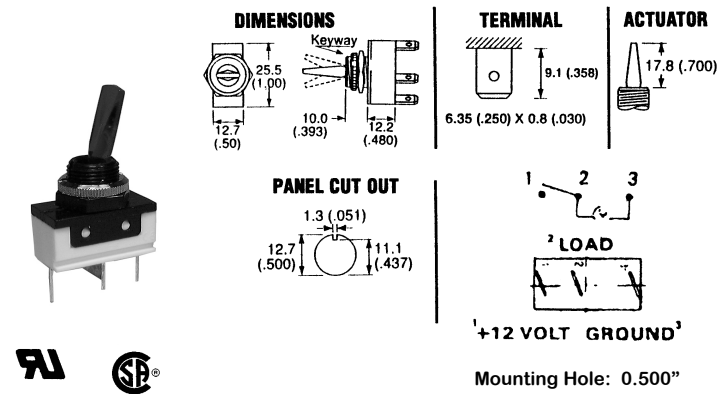


SPECIFICATIONS:

Current Rating:	10A @125V AC, 6A @ 250V AC
Initial Contact Resistance:	20 Meg ohm (Max.)
Insulation Resistance:	500V DC 100 Meg ohm (Min.)
Dielectric Strength:	1500V AC for 1 minute
Contact Material:	Brass - Bright Nickel Plate
Terminal Material:	Brass - Bright Nickel Plate
Terminal Type:	Solder

Part No.	Type	Action		Actuator	
30-089	DPDT	ON	OFF	ON	Black Plastic

LIGHTED PADDLE HANDLE TOGGLE SWITCHES

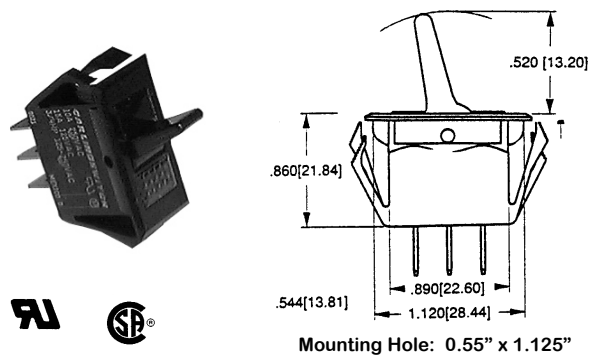


SPECIFICATIONS:

ELECTRICAL RATING:	16A 12V DC
MATERIALS:	
Contact Material:	Silver - Silver Plated
Terminal Material:	Silver - Silver Plated
Lamp:	12V, 55mA, 10,000 Hr Avg. Life
Initial Contact Resistance:	5 Milliohms (Max.)
Insulation Resistance:	100 Megaohms
Dielectric Strength:	1500V AC (Min.)

Part No.	Type	Action		Actuator
30-890	SPST	ON	- OFF	Red
30-892	SPST	ON	- OFF	Green
30-894	SPST	ON	- OFF	Amber

MINI TIPPETTE PADDLE HANDLE TOGGLE SWITCHES



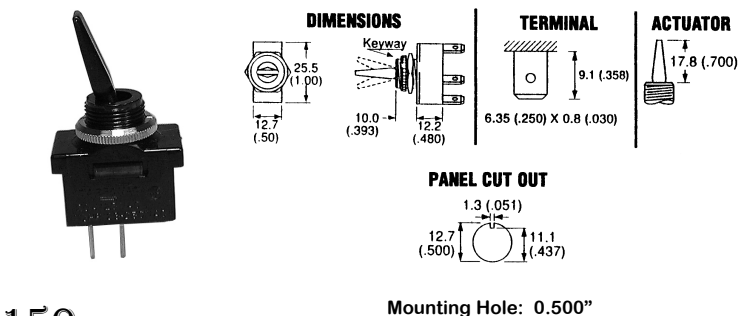
SPECIFICATIONS:

Current Rating:	15A @ 125VAC, 10A @ 250VAC
	3/4 HP 125-250VAC
Insulation Resistance:	100 Meg ohm (Min.)
Dielectric Strength:	1000V (min.)
Base Material:	Nylon
Terminal Type:	.250" Quick Connect

Part No.	Type	Action		Actuator
30-10308	SPST	ON	- OFF	Black Nylon
30-10318	SPST	ON	- OFF	Black Nylon with Amber Lens
30-10319	SPST	ON	- OFF	Black Nylon with Red Lens

NOTE: Lamp Voltage 125Volt/Neon

STANDARD SIZE PADDLE HANDLE TOGGLE SWITCHES



SPECIFICATIONS:

ELECTRICAL RATINGS:		
20A	125-250V AC 85C Single Pole	UL E45221
1/4HP	125V AC 1/2HP 250V AC 3 Pos.	UL/CSA
1/2HP	125V AC 1HP 250V AC 2 Pos.	UL/CSA
16A	125-250V AC	CSA LR10990
16 (4)A	250V AC T85	VDE 89254
20A	28V DC	Approvals N/A

Part No.	Type	Action		Actuator
30-170	SPST	ON	- OFF	Black Nylon
30-171	SPDT	ON	- ON	Black Nylon
30-172	SPDT	ON	OFF ON	Black Nylon